



Make possible to connect
4 Door Cameras & 16 Monitors
using **KU-ESA** Distributor

Up to 4 Door Cameras or CCTV Cameras & 16 Monitors (2 Monitors PER 1 Port) connection

2 More KU-ESA connections available in case of setting KU-ESA as SUB

(* Max. connection in case of using 3 KU-ESA: 12 Cameras & 48 Monitors)

One selected Camera Monitoring available

Internal call & Communication available between extended indoor units

Multi-call & Video AMP

Compatible Monitors



KCV-801/D801, KCV-801R/D801R



KVR-A510/D510



KCV-A374/D374
KCV-A374SD/D374SD



KCV-W354/DW354



KCV-301

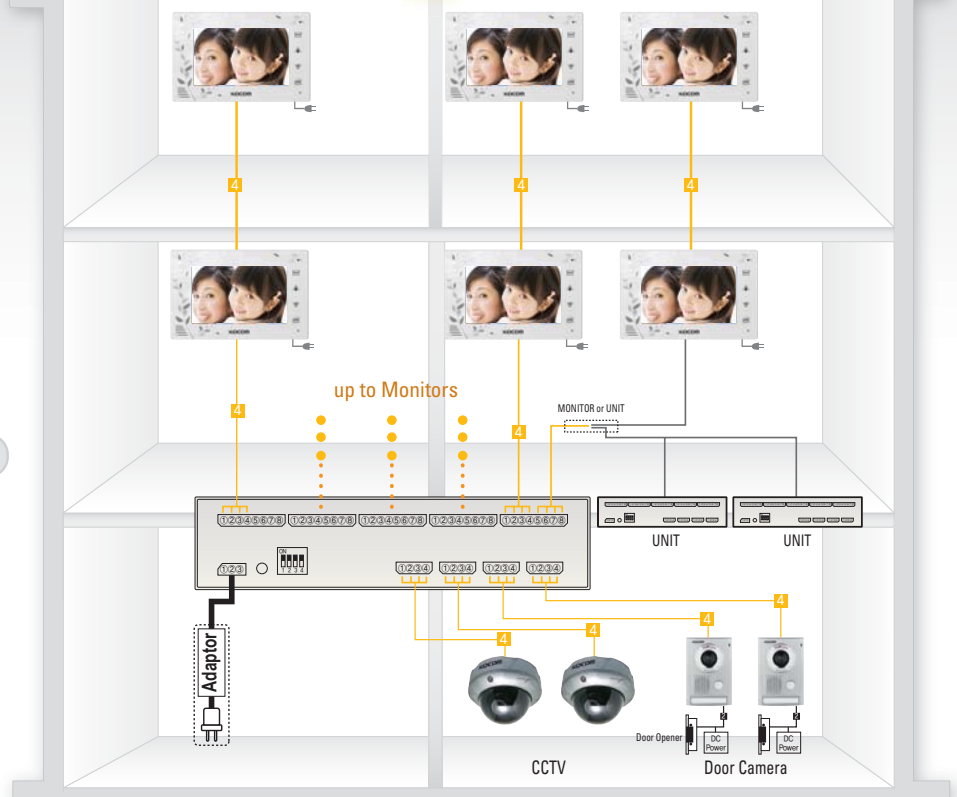


KVM-301/D301

System Diagram



up to **16** Houses

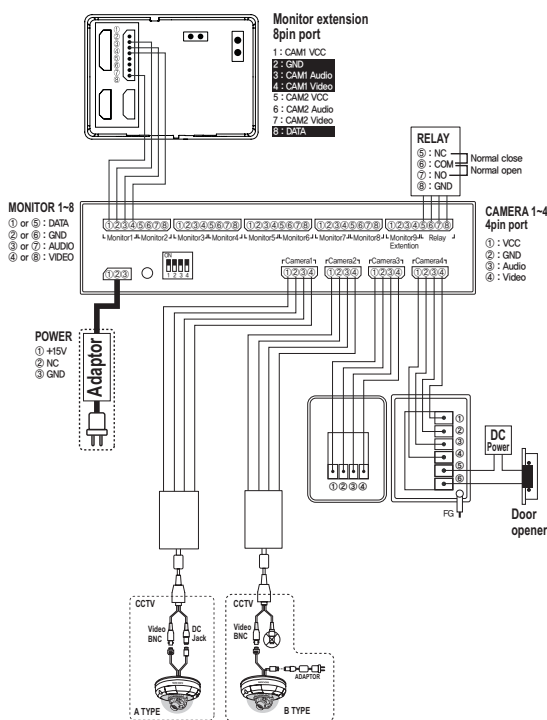


Feature

- Up to 4 Door Cameras or CCTV Cameras & 16 Monitors (2 Monitors PER 1 Port) connection
- 2 More KU-ESA connections available in case of setting KU-ESA as SUB (* Max. connection in case of using 3 KU-ESA : 12 Cameras & 48 Monitors)
- One selected Camera Monitoring available
- Internal call & Communication available between extended indoor units
- Multi-call & Video AMP

* In case of using CCTV camera of below 200mA (DC 12V) power consumption and when the distance between CCTV camera and monitor is below 50m, CCTV camera is powered by the monitor. [Wiring Diagram Type A]
 * On the other hand, if the power consumption is over 200mA (DC 12V) and the distance is over 50m, an additional power supply for CCTV camera is necessary. [Wiring Diagram Type B]

Wiring Diagram



Specifications

Model NO.	KU-ESA
Power Supply	DC 15V±1V (Stand by : 1.7W, Operation : 13W)
Warranted Operation Temperature	0 ~ 40 °C
Wiring Type	4 Wire Type (Monitor and front door camera)
Mount Type	Flush Mount
Dimension(mm)	145(W) x 90(H) x 40(D) mm
Communication Type	1 way Hands free communication
Distance	CAMERA TO MONITOR (UTP pair cable : 100m / 0.85 single cable : 100m / 0.65 single cable : 50m)
	UNIT TO UNIT (UTP pair cable : 20m / 0.85 single cable : 20m / 0.65 single cable : 10m)
Capacity	up to Max one camera per camera port
	up to Max two monitors per monitor port up to Max three unit per extension port

Monitor & Camera Connection

Color Monitor					B/W Monitor	
	 KCV-A374SD/D374SD		 KCV-B01R/D801R			
Color Camera					B/W Camera	